

# TRADITIONS (USA) HEGE (GERMANY)

Mengener Str. 38, D-88605 Messkirch, hege-arms.com  
 Tel.: +49 7575-2873 Fax: -4281 e-mail: info@hege-arms.com



## - Hawken Woodsman Rifle (Brass) -

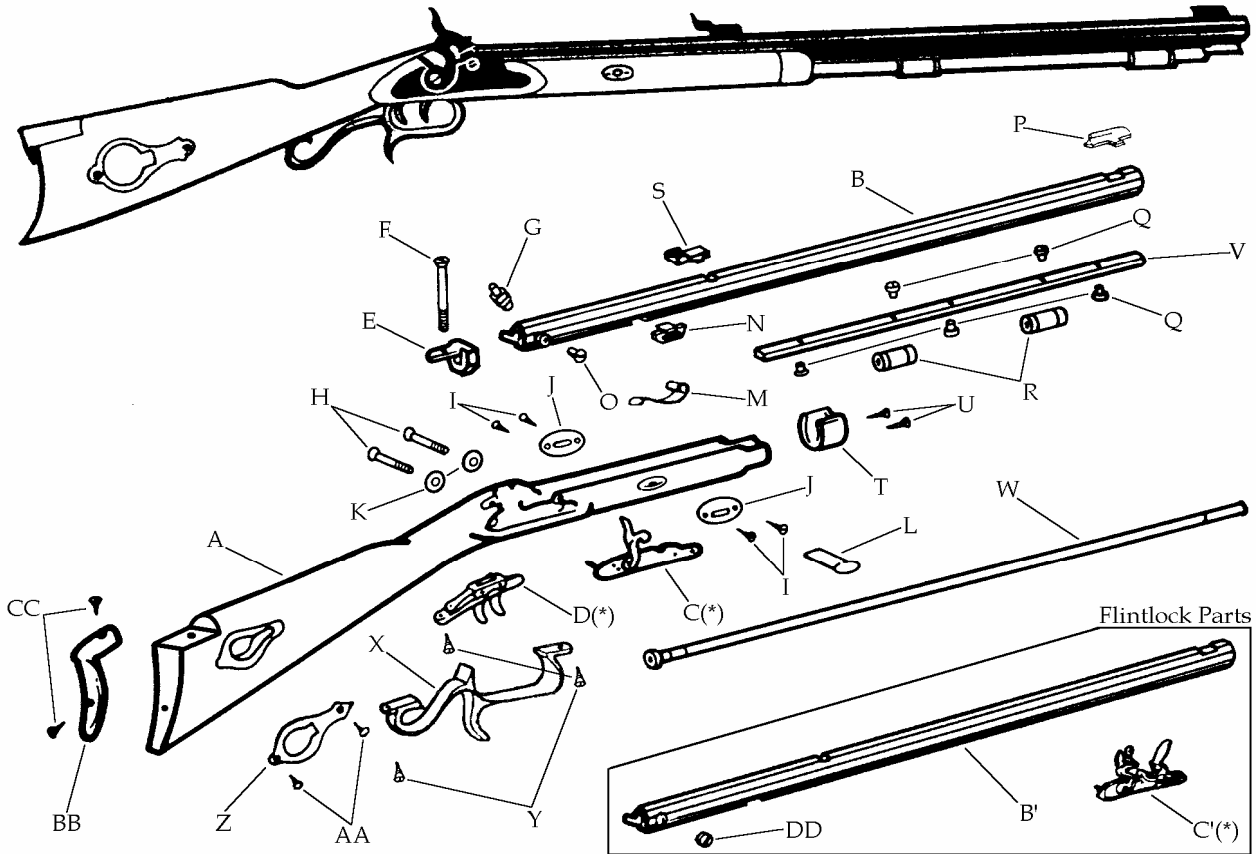
Models:

Finished

Kit

R-2395 R-2405  
 .45 cal. flint. 1-66" .45 cal. perc. 1-66"  
 Blued Barrel Blued Barrel

KR-5245  
 .45 cal. perc. 1-66"  
 Blued Barrel



Description	Reference	Description	Reference
A Stock Beech (Kit).....	K-24001	L Barrel Tennon Wedge.....	22218-2
Stock Beech Flintlock (Finished).....	FCS23901	M Ramrod Retaining Spring.....	20621
Stock Beech Percussion (Finished).....	FCS24001	N Barrel Tennon.....	20533
B Barrel Assembly (Kit) (Length 28")		O Bolster Screw -Percussion Only.....	20605
.45 cal. perc. Blued (twist 1-66").....	C-240025	P Front Sight.....	30611
Barrel Assembly (Finished) (Length 28")		P' Front Sight (45 cal. Only).....	20611
.45 cal. perc. Blued (twist 1-66").....	FB240025	Q Thimble/Barrel Rib Screw (5).....	20614
B' Barrel Assembly (Kit) (Length 28")		R Ramrod Thimble (2) (Brass).....	20613
.45 cal. flint. Blued (twist 1-66").....	C-239025	S Rear Sight.....	40610
Barrel Assembly (Finished) (Length 28")		S' Rear Sight (45 cal. Only).....	22810
.45 cal. flint. Blued (twist 1-66").....	FB239025	T Nose Cap (Brass).....	24015
C Percussion Lock.....	20803	U Nose Cap Screw (2).....	20627
C' Flintlock.....	20703	V Barrel Rib.....	24012
D Trigger Assembly.....	20622R	W Ramrod Assembly (Synthetic).....	22228M
E Barrel Tang.....	20606	X Trigger Guard (Brass).....	20823
F Tang Screw.....	20609	Y Trigger Guard Screw (3).....	20624
G Nipple Percussion Only.....	20608	Z Patchbox (Brass).....	20435
H Lock Plate Screw (2).....	20120	AA Patchbox Screw (2).....	400024
I Stock Plate Screw (4).....	20617	BB Butt Plate (Brass).....	24026
J Stock Plate (2) (Brass).....	22216L	CC Butt Plate Screw (2).....	20627
K Lock Plate Washer (2).....	20840	DD Touch Hole Insert -Flintlock Only.....	20534

(\*) Exploded view at the reverse.